



# MOULDERING PRIVY

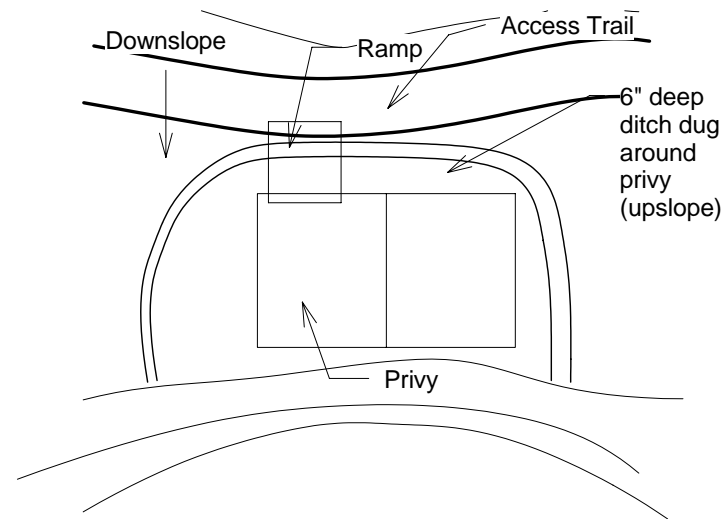
## Siting Notes:

Proper siting will optimize the functioning of the privy, provide for privacy, and encourage use.

The Mouldering Privy is designed for the waste pile to sit above ground, not in a pit. The grade within the crib, however, should be slightly concave to contain the pile.

The ground around the privy should slope away from the crib and should direct water around the privy.

## Construction Notes



① Siting  
1" = 10'-0"

Structural Column Schedule				
Type	Length	Cost	Count	Volume

4x4	10' - 0"	55.88	4	0.85 CF
4x4	11' - 6 1/2"	55.88	4	0.98 CF

Grand total: 8 111.76

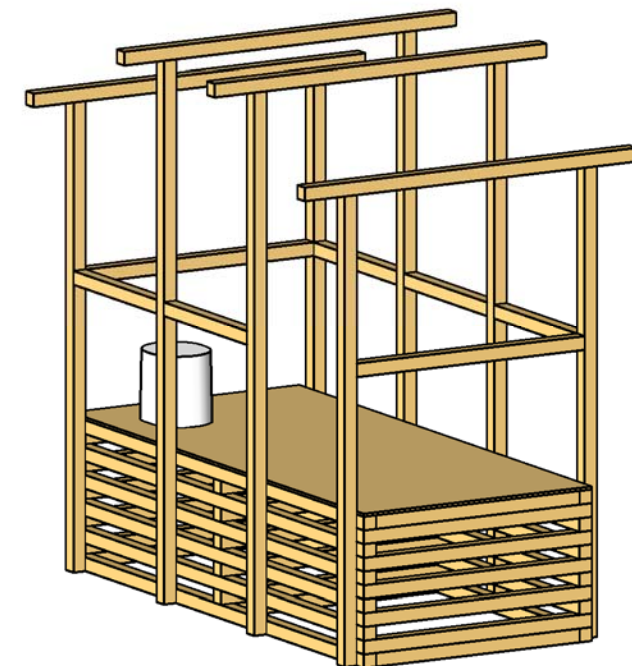
Structural Framing Schedule				
Type	Cut Length	Cost	Count	Volume

4x4	3' - 5"		7	0.29 CF
4x4	4' - 11"		8	0.42 CF
4x4	5' - 6"		17	0.47 CF
4x4	8' - 0"		4	0.68 CF
4x4	12' - 0"		12	1.02 CF

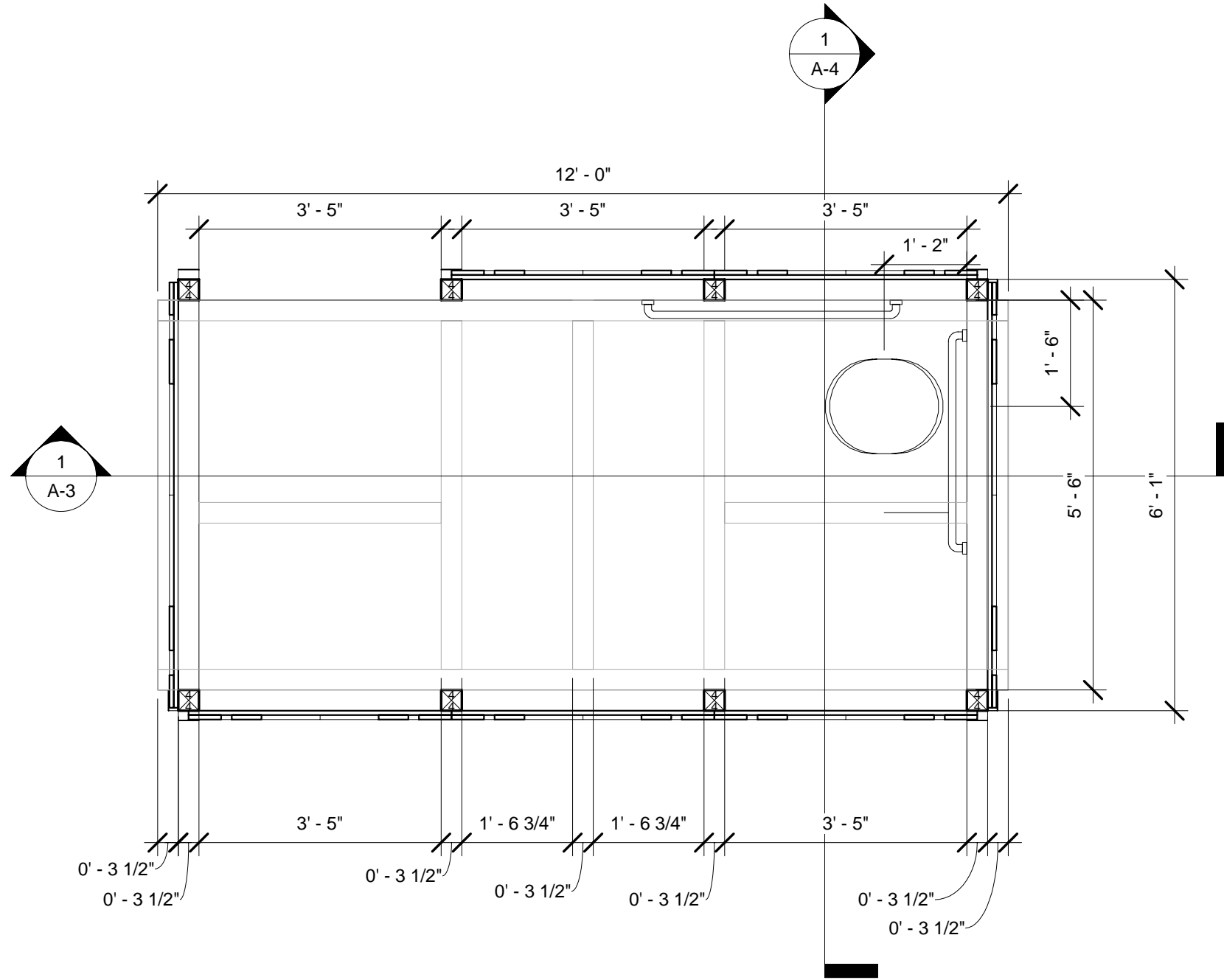
Grand total: 48



② 3D of Privy



③ 3D Structure



**U.S. FOREST SERVICE**  
SOUTHERN REGION

George Kulick, Director of Engineering

**Moldering Privy**

CHECKER: Checker  
DESIGNER: Designer

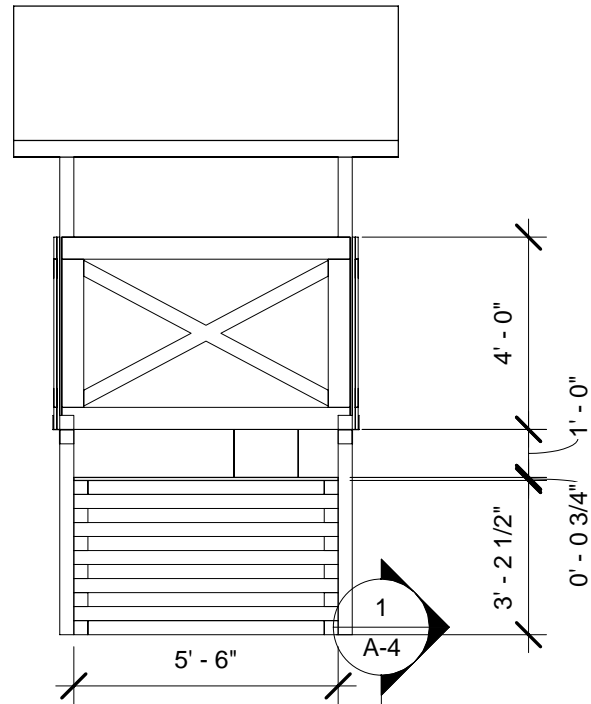
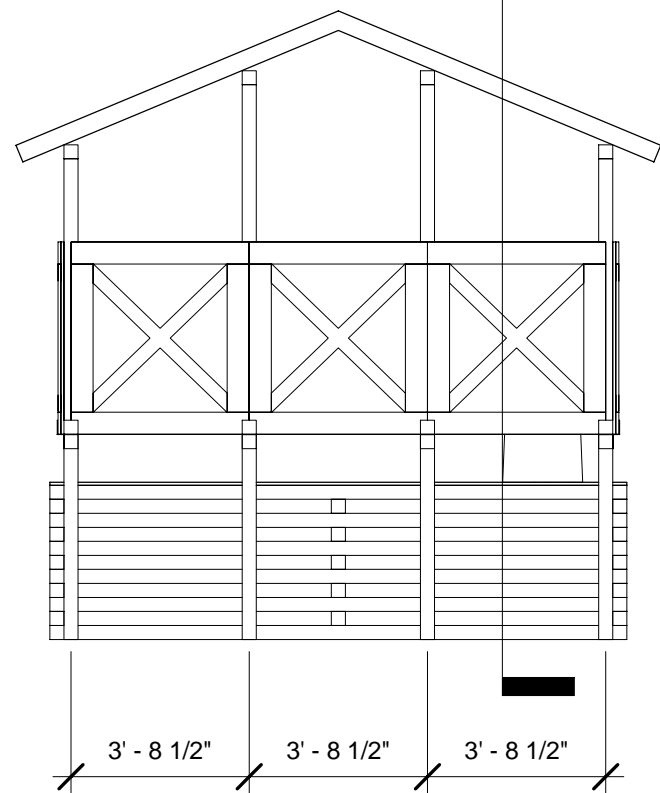
**Sheet Name**

**Plan**

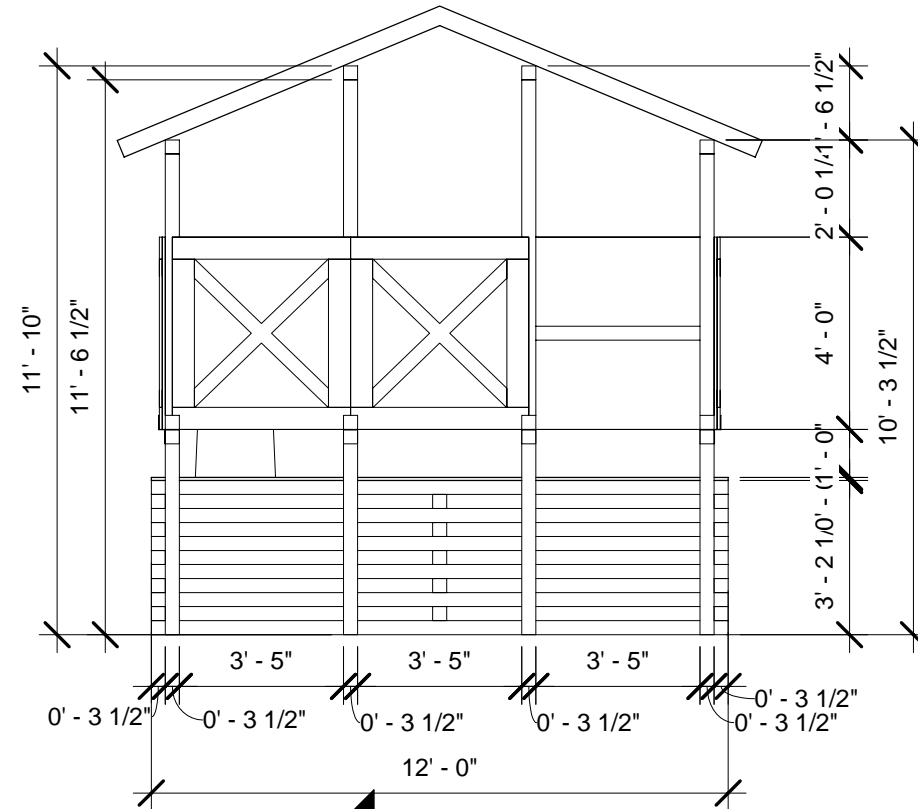
**A-1**

3/31/2006 1:02:07 PM

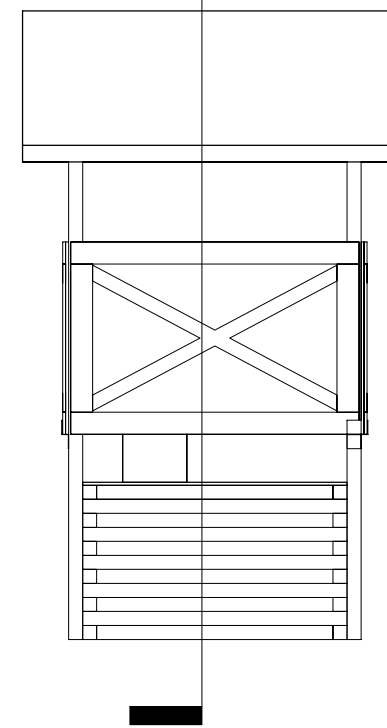
1 East  
1/4" = 1'-0"



2 North  
1/4" = 1'-0"



1  
A-3



4 West  
1/4" = 1'-0"



**U.S. FOREST SERVICE**  
SOUTHERN REGION

George Kulick, Director of Engineering

**Moldering Privy**

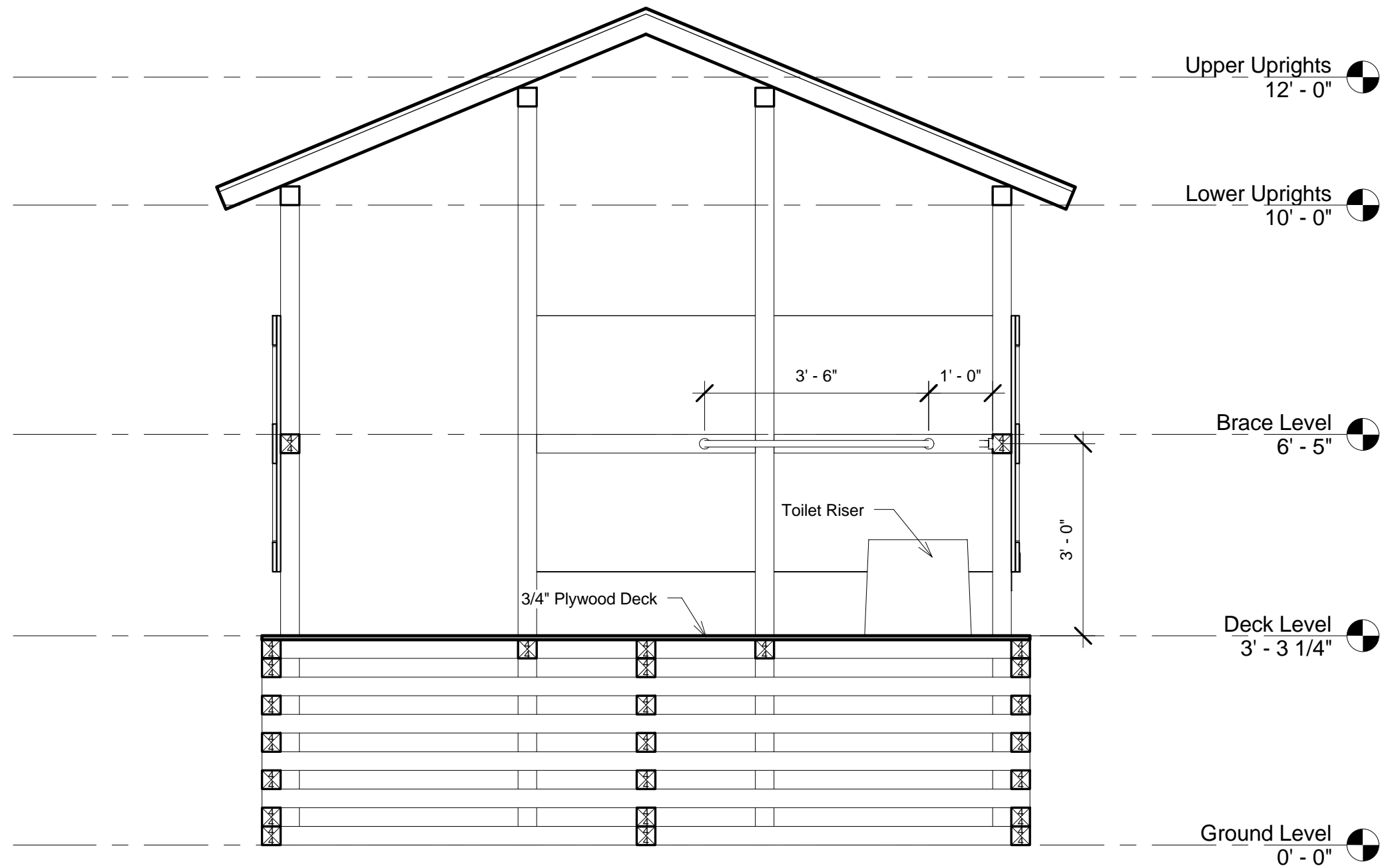
CHECKER: Checker  
DESIGNER: Designer

**Sheet Name**

**Unnamed**

**A-2**

3/31/2006 1:02:09 PM



**U.S. FOREST SERVICE**  
**SOUTHERN REGION**

George Kulick, Director of Engineering

**Moldering Privy**

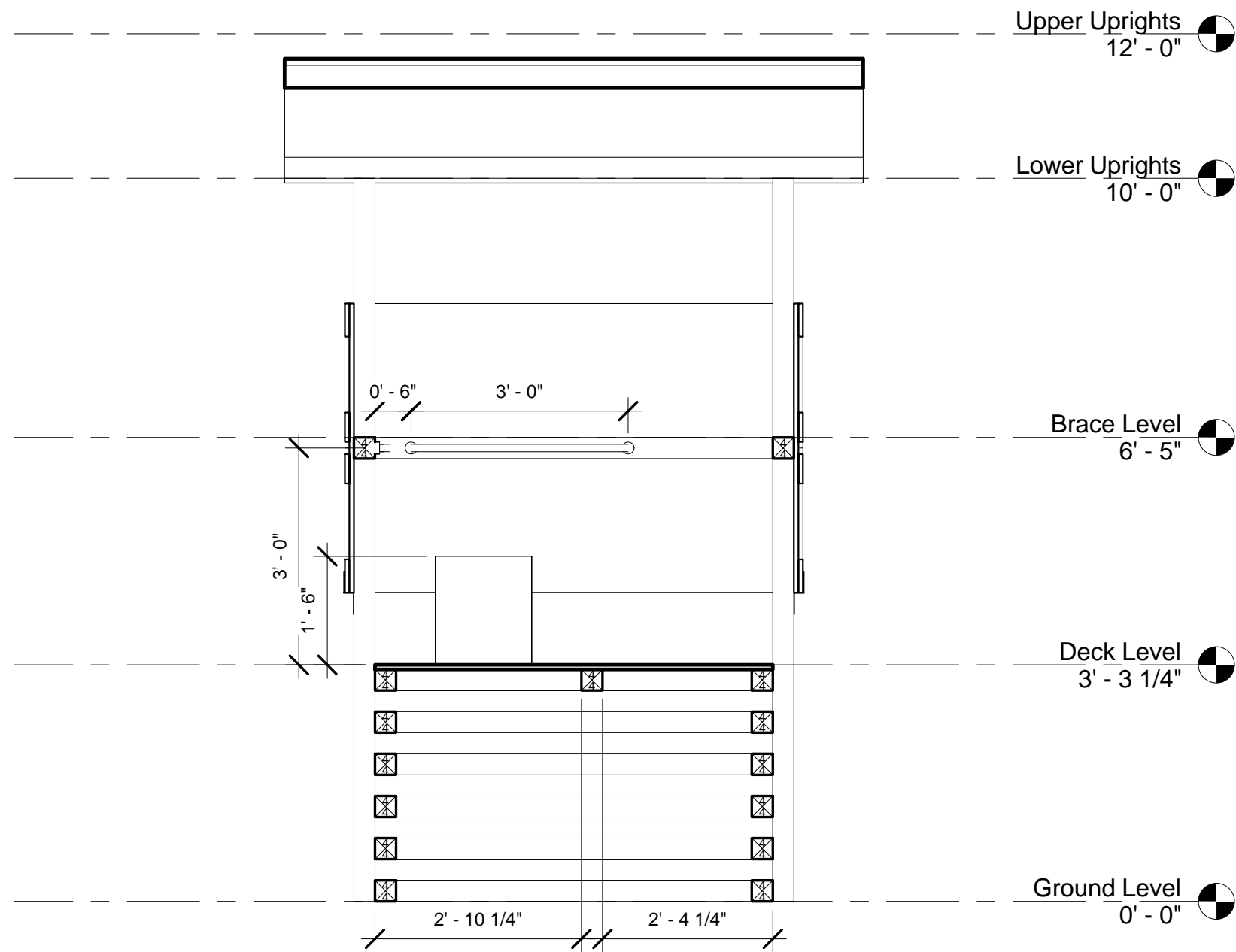
CHECKER: Checker  
 DESIGNER: Designer

**Sheet Name**

**Long Section**

**A-3**

① Long Section  
 1/2" = 1'-0"



**U.S. FOREST SERVICE**  
**SOUTHERN REGION**

George Kulick, Director of Engineering

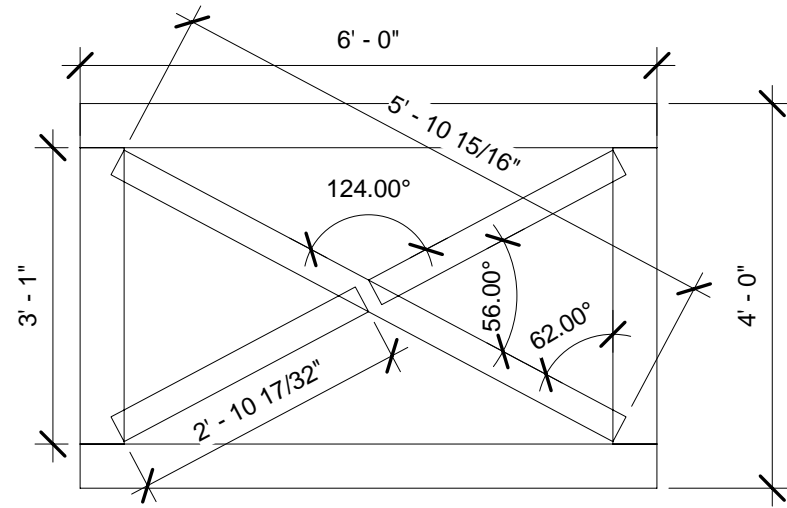
**Moldering Privy**

CHECKER: Checker  
DESIGNER: Designer

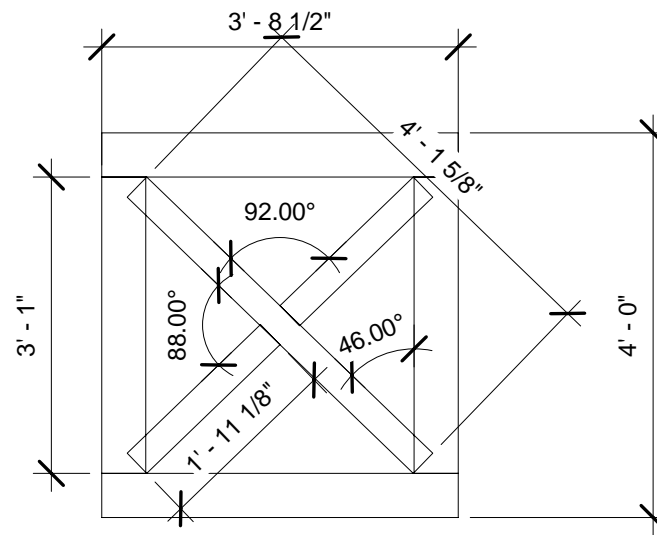
**Sheet Name**

**Short  
Section**

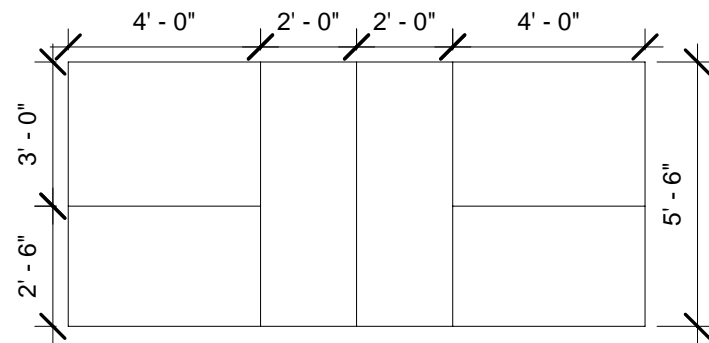
**A-4**



① End Panel  
1/2" = 1'-0"



② Side Panel  
1/2" = 1'-0"



③ Floor Decking Plan  
1/4" = 1'-0"

5/3/2006 1:02:12 PM



**U.S. FOREST SERVICE**  
SOUTHERN REGION

George Kulick, Director of Engineering

**Molding Privy**

CHECKER: Checker  
DESIGNER: Designer

**Sheet Name**

**Panels**

**A-5**